



# TECHNICAL DATASHEET

## TAB POLAR S55JAX

### ORDER INFORMATION

TAB ID  
**246755**

Short Code  
**S55JAX**

DIN Marking  
**55524/51 SMF**

EAN Code  
**3838807030589**

Quantity per EU/CNT pallet  
**72/96 pcs**

### TECHNOLOGY

Primary Function  
**Engine Start**

Battery Technology  
**Flooded**

Grid Type (pos/neg)  
**Expanded/Concasted**

Grid Alloy (pos/neg)  
**Ca/Ca**

Separator  
**PE**

Electrolyte (g/cm<sup>3</sup>)  
**1,28**

### TECHNICAL INFORMATION

Voltage (V)  
**12**

Capacity C20 (Ah)  
**55**

CCA -18°C EN (A)  
**490**

RC (min)  
**90**

LxWxH (mm)  
**236x128x202/223**

Total Weight (kg)  
**13.5**

### BOX DESIGN

Box Type  
**B24**

Cover Type  
**SMF**

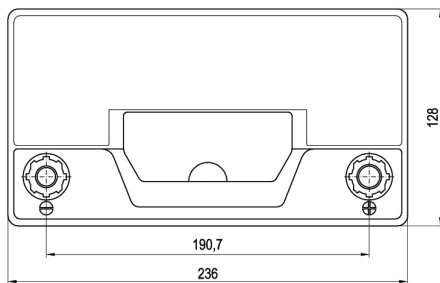
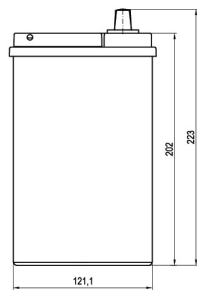
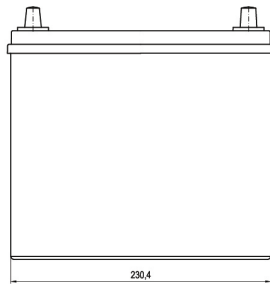
Colour  
**Black**

Layout  
**1**

BHD  
**B0**

Terminal  
**1**

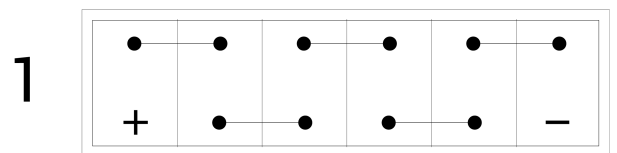
## DRAWING



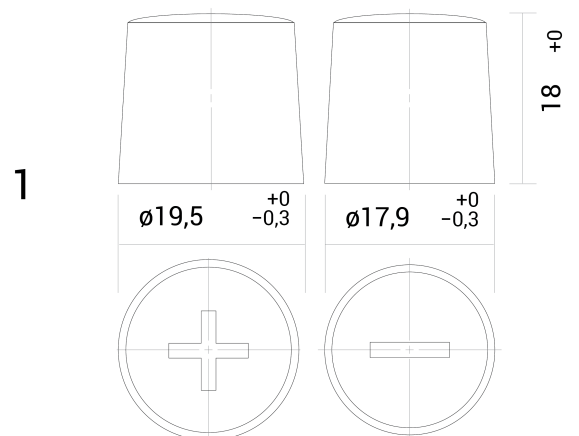
## BHD



## LAYOUT



## TERMINAL



# TECHNICAL DATASHEET

## TAB POLAR S55JAX